



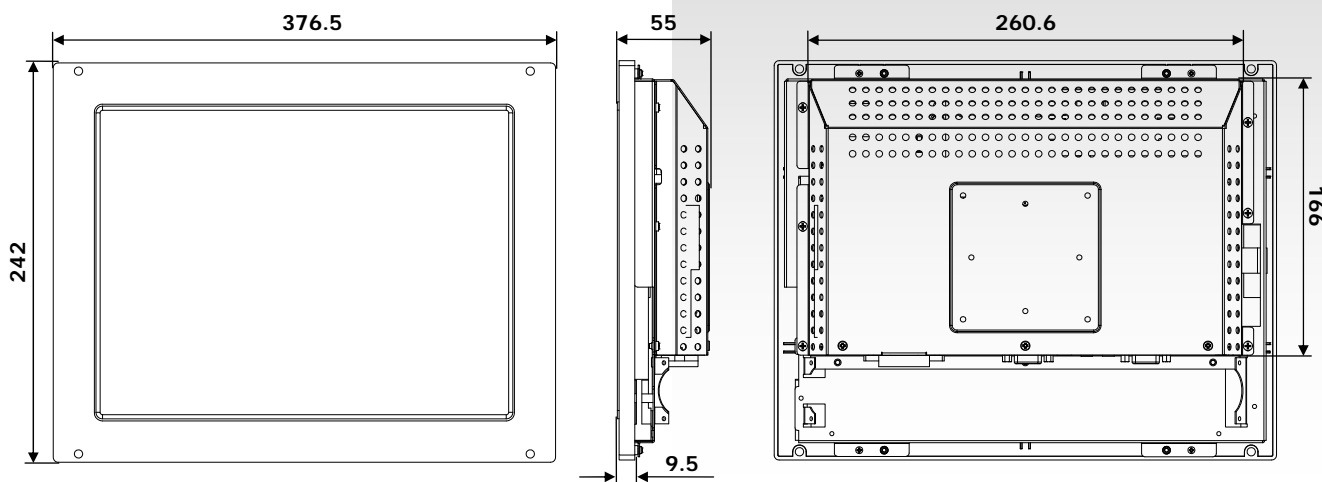
12.1" Open Frame Touchmonitor



Specifications

Product Name	90LM121S1FHA0F
Screen Diagonal	12.1inch (307mm)
Aspect Ratio	4 : 3
Display Active Area	246mm x 185mm
Overall Dimensions (H x V x D)	377mm x 242mm x 55mm
Native Resolution	800 x 600 (SVGA)
Support Colors	262K Colors
Response Time	35msec
Viewing Angle(T/D/L/R)	50 / 60 / 70 / 70
Brightness	360nits
Backlight Type / Life	CCFL / 50,000Hrs
Contrast Ratio	600 : 1
Input Connectors / Formats	D-Sub / Analog VGA
Speakers	2W / Channel (Optional)
OSD Control	5-Button OSD Keypad
Input Voltage	100 – 240 VCA, 50/60Hz / 30W Max
Actual Weight	4.0Kg
Operating / Storage Temperatures	0°C to 40°C / -20°C to 60°C
Touch Sensor	3M Capacitive (RS232/USB)

Mechanicals (mm)



Promate Electronic Co., Ltd

No. 32, 4F, Sec. 1, Huan Shan Road, Nei Hu District, Taipei 11442 Taiwan

Telephone: +886-2-2659-0303 x1529 Fax: +886-2-2658-0954

openframe@promate.com <http://www.promate.com>