



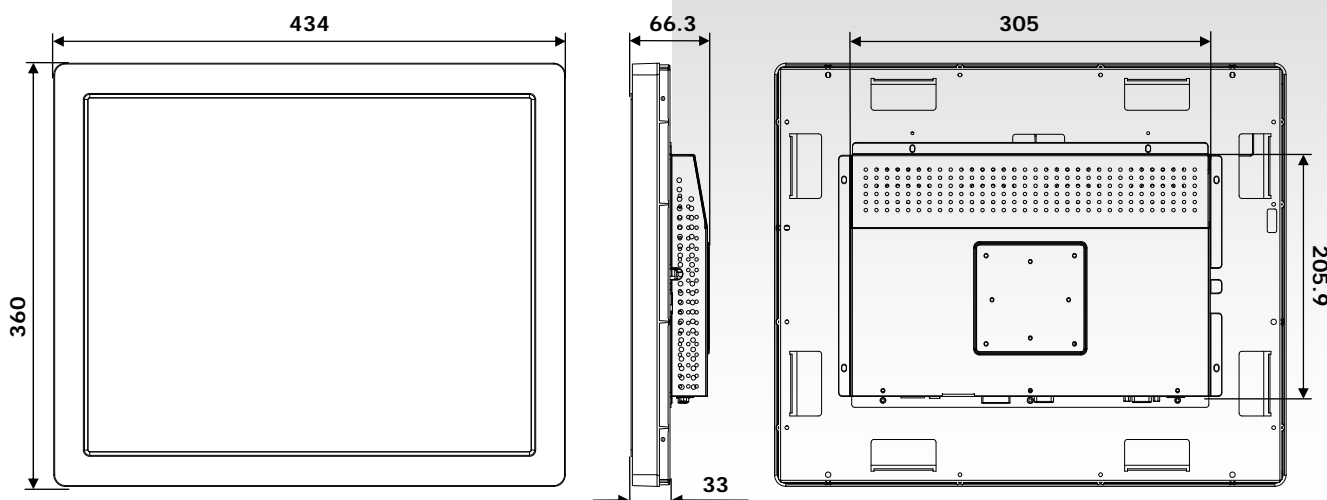
19" Open Frame Touchmonitor



Specifications

Product Name	90LM190E1FHA0F
Screen Diagonal	19inch (483mm)
Aspect Ratio	5 : 4
Display Active Area	376mm x 301mm
Overall Dimensions (H x V x D)	434mm x 360mm x 67mm
Native Resolution	1280 x 1024 (SXGA)
Support Colors	16.7M Colors
Response Time	20msec
Viewing Angle(T/D/L/R)	89 / 89 / 89 / 89 (MVA)
Brightness	270nits
Backlight Type / Life	CCFL / 50,000Hrs
Contrast Ratio	1300 : 1
Input Connectors / Formats	D-Sub / Analog VGA
OSD Control	5-Button OSD Keypad
Input Voltage	12VDC / 35W Max
Actual Weight	7Kg
Operating / Storage Temperatures	0°C to 40°C / -20°C to 60°C
Touch Sensor	3M Capacitive / SAW (Optional)

Mechanicals (mm)



Promate Electronic Co., Ltd

No. 32, 4F, Sec. 1, Huan Shan Road, Nei Hu District, Taipei 11442 Taiwan

Telephone: +886-2-2659-0303 x1529 Fax: +886-2-2658-0954

openframe@promate.com <http://www.promate.com>