



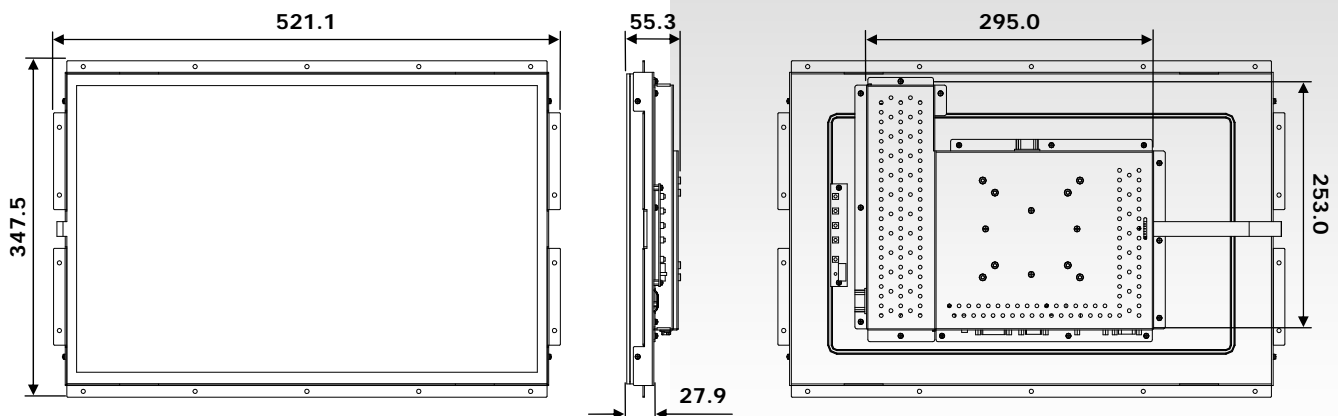
22" Open Frame Touchmonitor



Specifications

Product Name	90LM220S1FGA0F
Screen Diagonal	22.0inch (559mm)
Aspect Ratio	16 : 10
Display Active Area	474mm x 296mm
Overall Dimensions (H x V x D)	522mm x 348mm x 56mm
Native Resolution	1680 x 1050 (WSXGA+)
Support Colors	16.7M Colors
Response Time	20msec
Viewing Angle(T/D/L/R)	89 / 89 / 89 / 89 (MVA)
Brightness	240nits
Backlight Type / Life	CCFL / 50,000Hrs
Contrast Ratio	1000 : 1
Input Connectors / Formats	D-Sub, DVI-D / Analog VGA, DVI
OSD Control	5-Button OSD Keypad
Input Voltage	12VDC (3.7A) / DC Jack (2.5φ)
Actual Weight	7.6Kg
Operating / Storage Temperatures	0°C to 50°C / -20°C to 60°C
Touch Sensor	5-Wire Resistive (RS232 & USB)

Mechanicals (mm)



Promate Electronic Co., Ltd

No. 32, 4F, Sec. 1, Huan Shan Road, Nei Hu District, Taipei 11442 Taiwan

Telephone: +886-2-2659-0303 x1529 Fax: +886-2-2658-0954

openframe@promate.com <http://www.promate.com>