



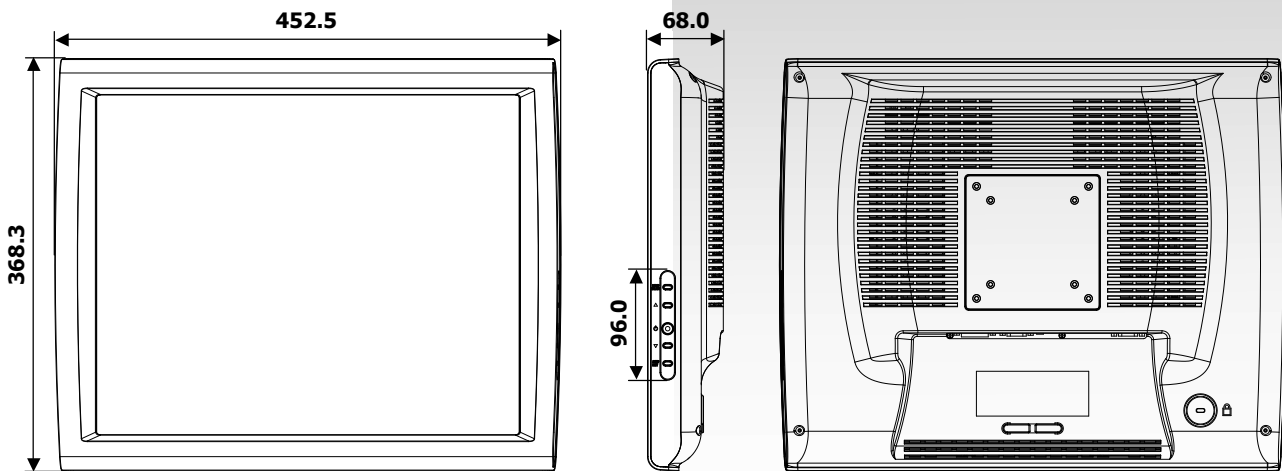
19" Medical Desktop Touchmonitor



Specifications

Product Number	90FM190E1FCA0F
Screen Diagonal	19.0inch (483mm)
Aspect Ratio	5 : 4
Display Active Area	376mm x 301mm
Dimensions (H x V x D)	453mm x 368mm x 68mm
Native Resolution	1280 x 1024 (SXGA)
Support Colors	16.7M Colors
Response Time	20msec
Viewing Angle	89 / 89 / 89 / 89 (MVA)
Brightness	300nits
Backlight Type / Life	CCFL / 50,000Hrs
Contrast Ratio	1300 : 1
Input Connectors / Formats	D-Sub, DVI-D / Analog VGA, DVI
Speakers	2W by 2 Channels
OSD Control	5-Button OSD Keypad
Input Voltage	12VDC (2.0φ) / 5.17A (Max) / 48W
Actual / Shipping Weight	6.3Kg, 8.5Kg with Pedestal / 12.3Kg
Operating / Storage Temperatures	0°C to 50°C / -20°C to 60°C
Mechanical Mount Options	VESA Mount / Pedestal Mount
Touch Sensor	5-Wire Resistive (RS232 / USB)

Mechanicals (mm)



Promate Electronic Co., Ltd

32, 4F, Sec. 1 Huan Shan Road, Nei Hu, Taipei, 11442, Taiwan
 Telephone: +886-2-2659-0303 x1529 Fax: +886-2-2658-0954
 openframe@promate.com <http://www.promate.com>