



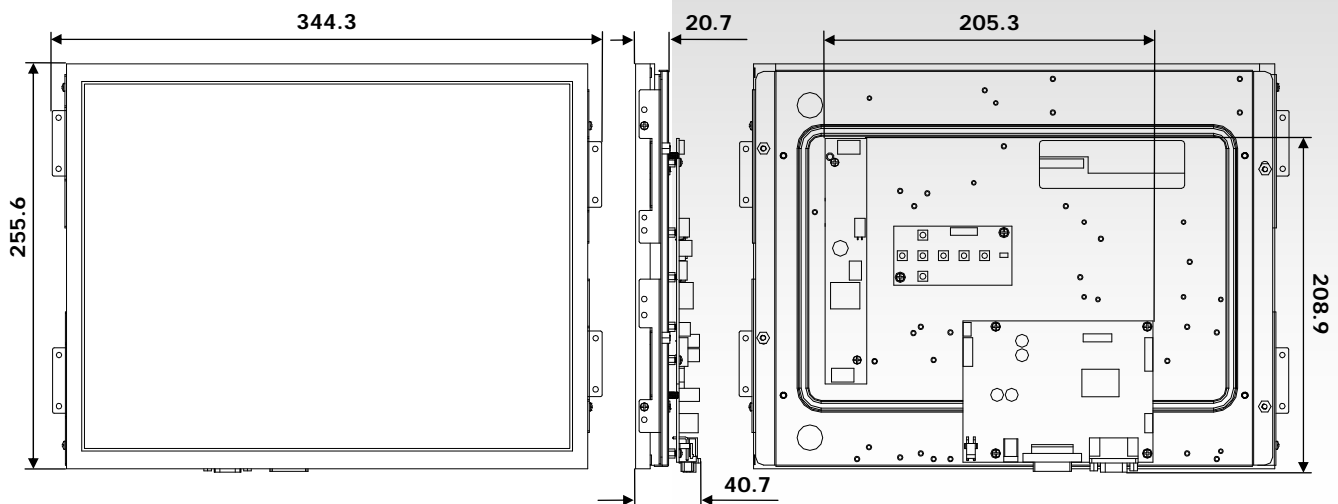
# 15" Open Frame Standard



## Specifications

Product Name	90LM150X3F5B1F
Screen Diagonal	15.0inch (381mm)
Aspect Ratio	4 : 3
Display Active Area	304mm x 228mm
Overall Dimensions (H x V x D)	345mm x 256mm x 41mm
Native Resolution	1024 x 768 (XGA)
Support Colors	16.2M Colors
Response Time	8ms
Viewing Angle(T/D/L/R)	65 / 60 / 70 / 70
Brightness	250nits
Backlight Type / Life	CCFL / 50,000Hrs
Contrast Ratio	700 : 1
Input Connectors / Formats	D-Sub, DVI-D / Analog VGA, DVI
OSD Control	7-Button OSD Keypad
Input Voltage	12VDC (1.55A) / DC Jack (2.5φ)
Actual Weight	1.7Kg
Operating / Storage Temperatures	0°C to 50°C / -20°C to 60°C

## Mechanicals (mm)



## Promate Electronic Co., Ltd

No. 32, 4F, Sec. 1, Huan Shan Road, Nei Hu District, Taipei 11442 Taiwan

Telephone: +886-2-2659-0303 x1529 Fax: +886-2-2658-0954

openframe@promate.com <http://www.promate.com>